

# SEALEY

## GEAR OIL TRANSFER PUMP & FIXING KIT FOR EP80 GEAR OIL DRUMS

MODEL NO'S: TP67 & TP67/X

Thank you for purchasing a Sealey product. Manufactured to a high standard, this product will, if used according to these instructions, and properly maintained, give you years of trouble free performance.

**IMPORTANT:** PLEASE READ THESE INSTRUCTIONS CAREFULLY. NOTE THE SAFE OPERATIONAL REQUIREMENTS, WARNINGS & CAUTIONS. USE THE PRODUCT CORRECTLY AND WITH CARE FOR THE PURPOSE FOR WHICH IT IS INTENDED. FAILURE TO DO SO MAY CAUSE DAMAGE AND/OR PERSONAL INJURY AND WILL INVALIDATE THE WARRANTY. KEEP THESE INSTRUCTIONS SAFE FOR FUTURE USE.



Refer to instruction manual

### 1. SAFETY

- ❑ **WARNING!** Ensure all health and safety, local authority, and general workshop practice regulations are strictly adhered to when using this equipment.
- ✓ Familiarise yourself with the application and limitations of this product, as well as the specific potential hazards peculiar to the area.
- ✓ Ensure safety eye protection and protective clothing are worn when using this product.
- ✓ Keep the work area clean, uncluttered and ensure there is adequate lighting.
- ✓ Dispose of waste liquids in accordance with local with local authority regulations.
- ✗ **DO NOT** use the pump to transfer solvents, (see application below).
- ✗ **DO NOT** use the pump for any purpose other than for which it is designed.
- ✗ **DO NOT** place the oil drum on an uneven surface, or in contact with any heat source.
- ✗ **DO NOT** attempt to move the oil drum by pulling on the oil supply or the fluid transfer hose.
- ✓ Keep the pump clean and store in a safe dry location when not in use.

### 2. INTRODUCTION

**TP67:** Self-priming pump with polypropylene body. Suitable for pumping gear-oil or other products with a similar viscosity. Includes 1.5m of hose and universal adaptor.

Note: If the container you have will not accept direct mounting of Model No. TP67, order a Model No. TP67DT Trolley and a TP67/X Top Plate. The pump fixes to the top plate which in turn mounts onto the trolley and avoids the need to connect the pump directly to the container.

**TP67/X:** Fixing Kit for EP80 Gear Oil Drums for use with Model No. TP67 Gear Oil Transfer Pump.

### 3. APPLICATIONS

**Note:** As a rule if the chemical you want to pump is delivered in a plastic container then you can use a plastic pump to transfer it. The TP67 and TP67/X can not be used for the transfer of solvents. The unit will handle most disinfectants, detergents, pesticides, degreasers, mild acids, alkalis, oils, weed-killers and chemical additives. If in doubt as to the suitability of use with a particular substance contact your local Sealey supplier for advice.

### 4. ASSEMBLY

fig.1 TP67 Gear Oil Pump

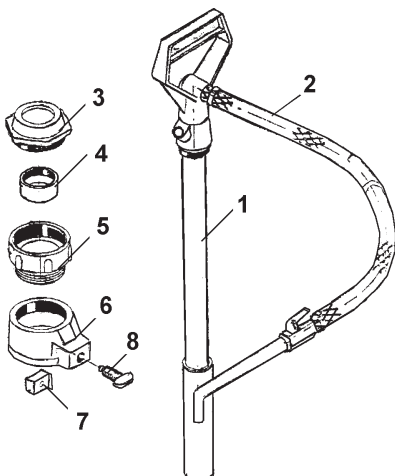
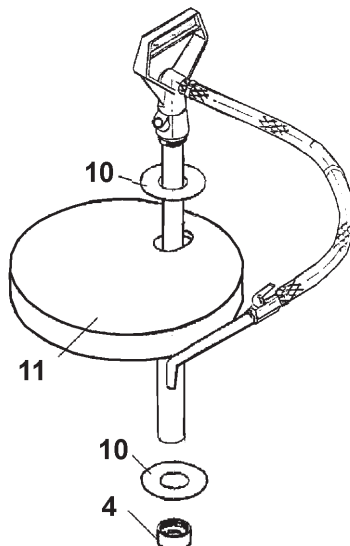


fig.2 TP67/X Adaptor kit



#### PARTS LIST Refer to figs 1 & 2.

ITEM	PART NO	DESCRIPTION
1	TP67	Pump assembly
2	TP67.02	Hose assembly
3	TP67/03	2" BSP adaptor
4	TP67/04	Lock nut
5	TP67/05	Trisure adaptor
6	TP67/06	Multi-neck adaptor
7	TP67/07	Clamp pad
8	TP67/08	Clamping screw
9	TP67/X	Washer
10	TP67X	Lid (spinning)

## 5. ASSEMBLY

### 5.1. PREPARATIONS FOR ASSEMBLY

- 5.1.1. Remove parts 3,5,6,7,8 from the main pump assembly (fig 1), and store in a safe place for future use.
- 5.1.2. Identify parts 1,2 & 4, and keep for to use for Adaptor assembly.

### 5.2. ADAPTOR ASSEMBLY

- 5.2.1. Assemble as shown (fig 2) incorporating parts 1, 2 from the main pump assembly.
- 5.2.2. Take part 4 (lock nut), invert it, and fit it to the end of the pump.



#### ENVIRONMENT PROTECTION

Recycle unwanted materials instead of disposing of them as waste. All tools, accessories and packaging should be sorted, taken to a recycling centre and disposed of in a manner which is compatible with the environment. When the product becomes completely unserviceable and requires disposal, drain any fluids (if applicable) into approved containers and dispose of the product and fluids according to local regulations.

**Note:** It is our policy to continually improve products and as such we reserve the right to alter data, specifications and component parts without prior notice.

**Important:** No Liability is accepted for incorrect use of this product.

**Warranty:** Guarantee is 12 months from purchase date, proof of which is required for any claim.



REGISTER YOUR  
PURCHASE HERE

Sealey Group, Kempson Way, Suffolk Business Park, Bury St Edmunds, Suffolk. IP32 7AR



01284 757500



sales@sealey.co.uk



www.sealey.co.uk